

Operating Instructions

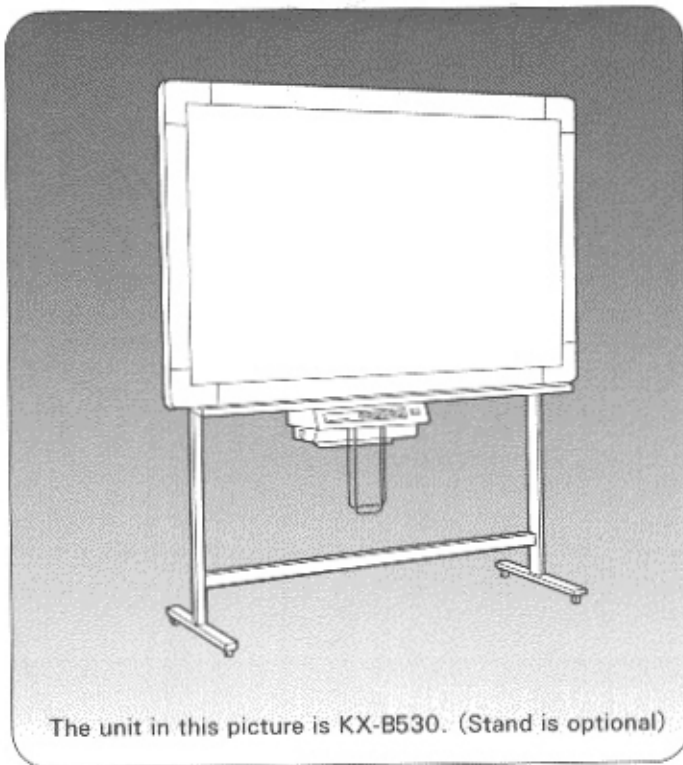
Panaboard

Electronic Print Board

KX-B430

KX-B530

MODEL NO. **KX-B630**



The unit in this picture is KX-B530. (Stand is optional)

Before operating this unit, please read these instructions completely. After reading them, preserve them carefully for future reference.

Thank you for purchasing the Panasonic Electronic Print Board.
For optimum performance and safety, please read these instructions carefully.

Accessories

- | | | | |
|-----------------------------------|--------|-----------------------------|---|
| ● Copy paper | 1 | ● Eraser | 1 |
| ● Marker (red, black, blue) | 1 each | ● Power cord | 1 |
| ● Operating Instructions | 1 | ● Installation Manual | 1 |

Precautions

Installation

Do not install the unit where:

- it is exposed to direct sunlight or air-conditioning vent,
- near heating equipment,
- the temperature is lower than 10°C (50°F) or it is subject to sudden temperature change.

Handling

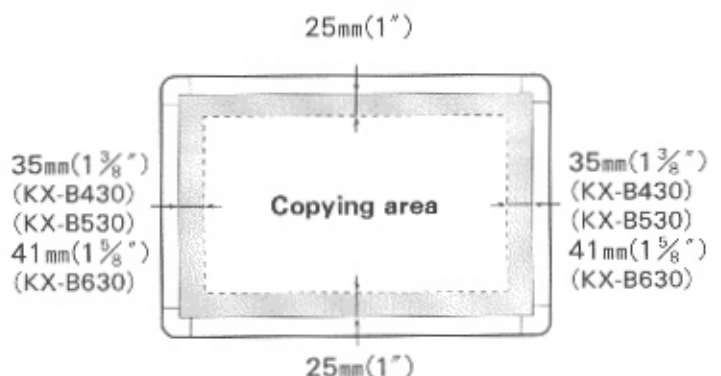
- Do not touch the screen, or erase it while it is moving.
- Do not leave writing on the screen for long periods of time.

Marker, eraser and copy paper

- Use only the included or designated marker, eraser and copy paper. (See "Specifications" on back cover.)
- Store a copy paper roll in a cool, dark, moisture free location.
- Do not store printed copies exposed to direct sunlight or high humidity, or inside vinyl chloride (plastic) files.
- For long-term storage, make another copy with an ordinary paper copier machine.

Film screen

- Write with bold, dark strokes [over 1 mm (1/32")].
- The shaded areas are not copied.



Warning Notices

WARNING:

TO PREVENT FIRE OR SHOCK HAZARD, DO NOT EXPOSE THIS PRODUCT TO RAIN OR ANY TYPE OF MOISTURE.

CAUTION:

TO PREVENT RISK OF ELECTRIC SHOCK HAZARD, DO NOT REMOVE THE COVER OF THIS PRODUCT, REFER SERVICING TO QUALIFIED SERVICE PERSONNEL.

Note: This equipment has been tested and found to comply with the limits for a Class B digital device, pursuant to Part 15 of the FCC Rules. These limits are designed to provide reasonable protection against harmful interference in a residential installation. This equipment generates, uses and can radiate radio frequency energy and, if not installed and used in accordance with the instructions, may cause harmful interference to radio communications. However, there is no guarantee that interference will not occur in a particular installation. If this equipment does cause harmful interference to radio or television reception, which can be determined by turning the equipment off and on, the user is encouraged to try to correct the interference by one of the following measures:

- Reorient or relocate the receiving antenna.
- Increase the separation between the equipment and receiver.
- Connect the equipment into an outlet on a circuit different from that to which the receiver is connected.
- Consult the dealer or an experienced radio/TV technician for help.

FCC Caution: Any changes or modifications not expressly approved by the party responsible for compliance could void the user's authority to operate this equipment.

Loading the copy paper

- Make sure the power switch is on.

1 Press "PUSH OPEN" and open the door. (Fig. 1)

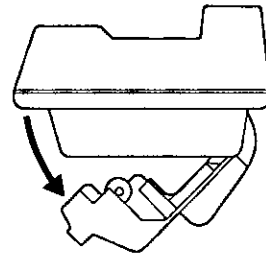


Fig. 1

2 (1) Load the copy paper roll. (Fig. 2)

Loosen 15cm (5 29/32") as shown and load it.

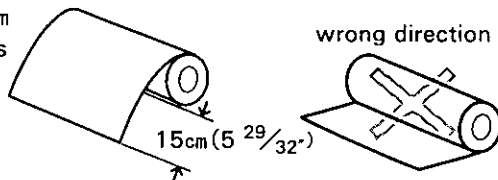


Fig. 2

(2) Pass the paper over the feed roller and under the paper guide, then through the printer slot about 4 cm (1 1/2 inches). (Fig. 3)

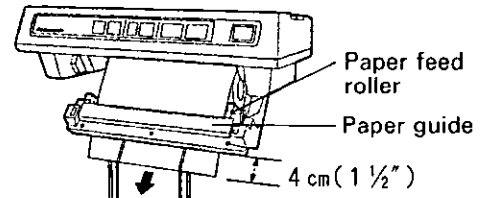


Fig. 3

Note : To load 100m roll [Diameter : about 94 mm (3 1/16 inches)]

- (1) Open until position B and load it, then back it to position A to prevent paper roll drop. (Fig. 4)
- (2) Set the paper according to Item 2-2.

3 Close the printer door securely, using two hands.

Note : Once the door is closed, paper will feed and automatically cut. Remove and discard the small piece of paper.

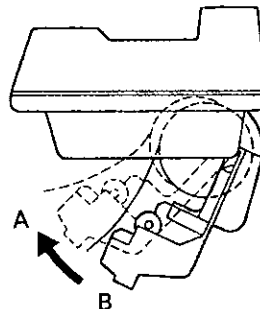
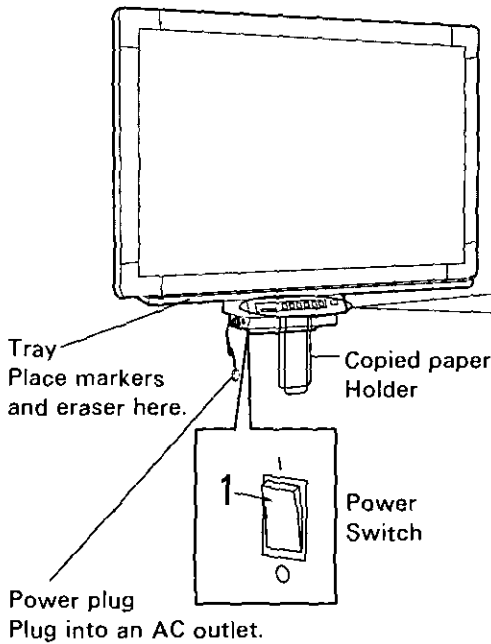


Fig. 4

■ Load a new roll when:

- Red bands become visible at the edge of the copy paper.
- The ERROR indicator "P" goes on and off even after the printer door is closed properly.

Operation (To make copies)

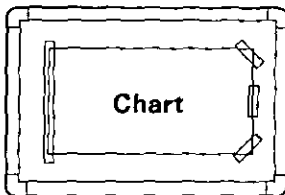


Caution

- Use AC 120V, 60Hz only.
- Use power cord, included.
- Do not damage the power cord.
- Remove the plug by holding it, not by pulling the cord.
- Do not touch the plug with wet hand.

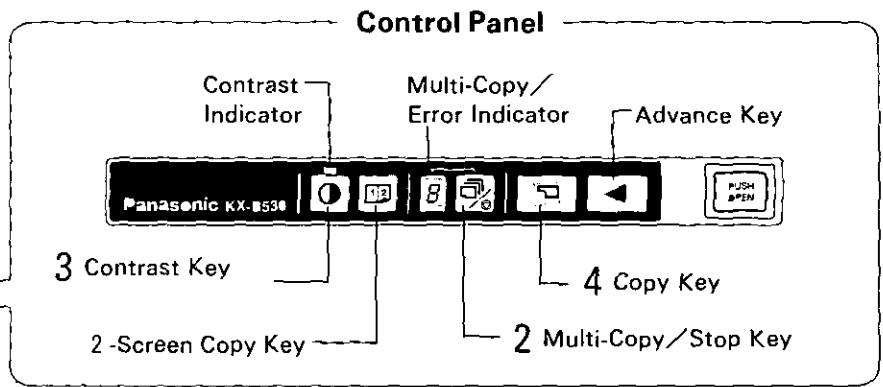
■ To copy charts, graphs, etc.

Affix it to the screen with drafting tape made by 3M® or other similar tape with medium adhesive.



- Wrinkles or fold marks may cause black shadows on the copy.

3M® is a registered trademark of 3M Corporation.



- 1 Turn the power switch on by pressing the " | " side of the "power" switch.

Note : If the screen is not in "home" position, the screen will move to home position and stop.

- Confirm the ERROR Indicator "P" is off.
(If not, refer to "Loading the copy paper".)
- When not in use, be sure to turn the power off.

- 2 To select the number of copies desired, press the "Multi-copy" key until the number of copies desired is indicated in the indicator (1 ~ 9). ex. 5→4→3→2→1→0→1 (While copying)
- If the indicator shows any letters, refer to page four.

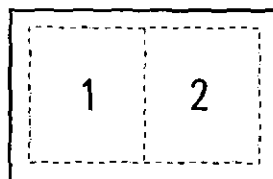
- 3 Press Contrast Key .
- Indicator "off" : Normal copy, "on" : Darker copy,
- Ruled line may be copied at the Darker position.

- 4 Press the Copy Key to start the copy process.
- Screen 1 or 2 will go round.
- Copied paper Holder can hold up to 10 copies.
- Note :**
- Do not hold 11 copies or more, otherwise the paper may jam.
- While copying, do not touch the paper, otherwise the paper may jam.

■ 2 SCREEN COPY

- To copy two screens (screen 1 and 2) on one paper, press the 2-Screen Copy Key .

2-Screen Copy



1 : screen 1 2 : screen 2

- To stop copying, press the Stop Key .

■ To advance to the next screen

Press the ADVANCE key to go to the next screen.

Troubleshooting

Symptom	Care and remedy
Power won't turn on.	Confirm the power plug is securely connected.
No copy paper emerges after the COPY Key is pressed.	Paper is exhausted. (ERROR indicator "P" goes on and off.) →Load new paper. (See p. 2)
	Printer door open. (ERROR indicator "P" goes on and off.) →Close the the door gently until a click is heard.
	Paper is jammed. →Remove the jammed paper and cut off the wrinkled portion, load paper again.
Nothing is printed on the paper. Copies are faint or blurred.	Confirm the paper is loaded correctly, smooth side face up. (See p. 2)
	Your writing is too thin or faint. →Write with thicker, darker strokes, or use a new marker.
	Printer door is slightly open. →Close the door gently until a click is heard.
Poorly defined stripes or unwanted lines appear on the copy.	The printer head is dirty. →Open the printer door and clean the printer head. (See p. 2 and 5)
Black lines appear on the copy.	The room temperature is 10°C (50°F) or lower. →After raising the temperature, turn the power off and then back on, then recopy.
The screen doesn't advance when the COPY or ADVANCE Key is pressed.	Static electricity is generated when cleaning. →Turn off the power and move the screen gently by hand.
Large amount of ink dust remains on the film screen.	Clean the screen. (See p. 5) →After cleaning, turn on the power switch once.
Power switch is on but the indicator is off.	Turn off the power switch and then on again.

*If problems still persist, call your dealer for service. To be referred to your local dealer, please call 1-800-447-4700.

Indication	Cause	Remedy
P	No paper	Load the copy paper roll.
	Printer door is not closed securely.	Close the door securely.
E	Printer can not cut the paper.	Open the printer door and clear the jammed paper.
b	Screen does not move.	Try to move the screen by hand, remove any charts taped to screen.
L	The room temperature is 10°C (50°F) or lower.	Raise the room temperature.
	The fluorescent lamp is dead.	Call your dealer for service.

● If other indication appears, call your dealer.

Troubleshooting

■ To release jammed paper

1. Open the printer door.
2. Remove the jammed paper by pulling the paper roll to the direction A. If the jammed paper is still in the cutter cover, remove it using tweezers from slot B.
3. Cut the paper as shown in Fig. 1.
4. In case paper cannot go through, just put the paper on the paper feed roller as shown Fig. 2.
5. Close the printer door.

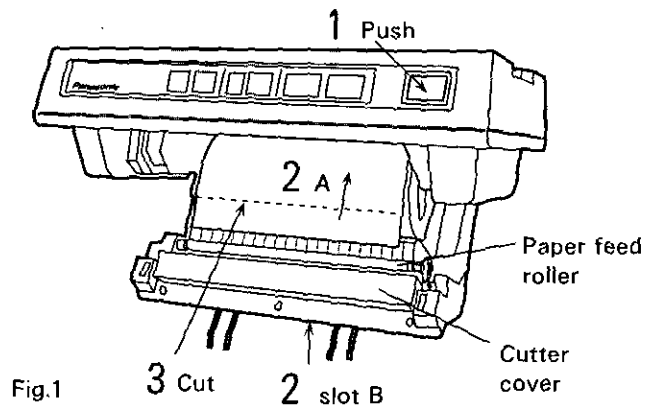


Fig.1

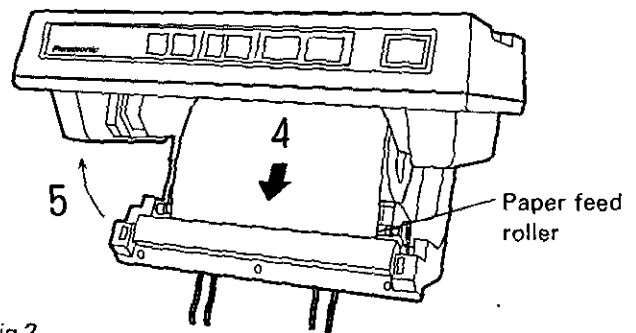


Fig.2

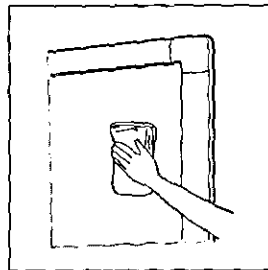
Care and cleaning

Be sure to turn off the power and unplug the power plug before cleaning.

■ Cleaning the film screen and the unit body

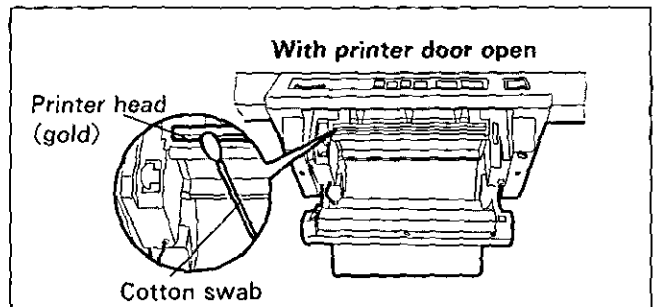
- Wipe gently with a soft cloth, which has been dipped in water and wrung out thoroughly.
- Never use thinner, benzine or detergent containing abrasives.
- Never wipe the screen with a dry cloth, since this may cause static electricity.

For hard stains, use a small amount of household detergent dissolved in water. For accidental writing with an oil marker, use a small amount of ethyl alcohol. Ensure that there is good ventilation.



■ Cleaning the print head

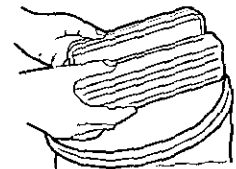
- Wipe gently with a cotton swab, dipped in ethyl alcohol.
- Never touch the printer head and its surrounding area with your fingers.



■ Cleaning the eraser

When the eraser becomes blackened with ink, remove the wiping portion as illustrated below, wash well with household detergent, then dry thoroughly in an area away from sunlight.

Reference:
Both sides can be used.



Specifications

Power Supply	KX-B430 KX-B530 KX-B630	AC 120 V, 60 Hz
Power Consumption	KX-B430 KX-B530 KX-B630	1.6 A (operating), 0.1 A (stand by)
Panel Dimensions	KX-B430	900 mm (H) × 800 mm (W) (2' 11 7/16" × 2' 7 1/2")
	KX-B530	900 mm (H) × 1,400 mm (W) (2' 11 7/16" × 4' 7 1/8")
	KX-B630	900 mm (H) × 1,762 mm (W) (2' 11 7/16" × 6' 1 1/3")
Copy Area Dimensions	KX-B430	850 mm (H) × 730 mm (W) (2' 9 15/32" × 2' 4 3/4")
	KX-B530	850 mm (H) × 1,330 mm (W) (2' 9 15/32" × 4' 4 3/8")
	KX-B630	850 mm (H) × 1,680 mm (W) (2' 9 15/32" × 5' 6 5/32")
Writing Panel surfaces	2 (endless type)	
Copy Method	CCD Image Sensor	
Paper Type	Heat-Sensitive Roll Paper (paper thickness:65 μ m)	
Paper Size	KX-B430 KX-B530 KX-B630	216 mm × 279.4 mm (8 1/2" × 11")
	KX-B430	186 mm × 202 mm (7 5/16" × 7 15/16")
	KX-B530	186 mm × 270 mm (7 5/16" × 10 5/8")
Copy Size on a paper	KX-B630	186 mm × 270 mm (7 5/16" × 10 5/8")
	8 dots/mm (203 dots/inch)	

Copy Speed		1st Paper	from 2nd paper
	KX-B430	20-second	12-second
	KX-B530	15-second	12-second
	KX-B630	15-second	12-second
Writing Instruments	Dry erase felt-tipped markers (black, red, blue)		
Ambient Conditions	Temperature: 10°C (50°F) ~ 35°C (95°F) Humidity: 30 ~ 80% R.H.		
Number of copies	1 ~ 9		
Exterior Dimensions (without stand)	KX-B430	1,208 mm (H) × 950 mm (W) × 233 mm (D) (3' 11 9/16" × 3' 1 13/32" × 9 5/32")	
	KX-B530	1,450 mm (H) × 1,550 mm (W) × 233 mm (D) (4' 9 3/32" × 5' 1 1/32" × 9 5/32")	
	KX-B630	1,450 mm (H) × 1,912 mm (W) × 233 mm (D) (4' 9 3/32" × 6' 3 9/16" × 9 5/32")	
Mass (Weight)	KX-B430	27.5kg [27.5kgf(61 lbs)]	
	KX-B530	33.5kg [33.5kgf(74 lbs)]	
	KX-B630	37kg [37kgf(81.5 lbs)]	
Options	* 1 Stand:	KX-B061M for KX-B530 and KX-B630 KX-B062M for KX-B430	
	Wall-Mounting Kit:	KX-B063	
	* 2 Interface Board for Printer:	KX-B09 Eraser: KX-B04	
Exterior Dimensions (with stand)	KX-B430	2,100 mm (H) × 995 mm (W) × 1,100 mm (D) (6' 10 11/16" × 3' 3 3/16" × 3' 10 5/16")	
	KX-B530	2,100 mm (H) × 1,550 mm (W) × 1,100 mm (D) (6' 10 11/16" × 5' 1 1/32" × 3' 10 5/16")	
	KX-B630	2,100 mm (H) × 1,912 mm (W) × 1,100 mm (D) (6' 10 11/16" × 6' 3 9/16" × 3' 10 5/16")	

* 1 weight (stand): KX-B061M...10.9kg (24 lbs)
KX-B062M...9.2kg (20lbs)

* 2 Optional Printer can be connected to this unit using optional interface board (KX-B09). Recommended printers are Panasonic KX-P6500 and KX-P4400.



Record these items for future reference

Model number: _____

Date of purchase: _____

Serial number: _____

Dealer's name: _____

Dealer's address: _____

These Operating Instructions are printed on recycled paper.

Panasonic Communications & Systems Company
Division of Matsushita Electric Corporation of America
Two Panasonic Way, Secaucus, New Jersey 07094

© Matsushita Electric Industrial Co. Ltd.
All rights reserved. Unauthorized
copying and distribution is a violation of law.

PBQX50127YA K1095E0